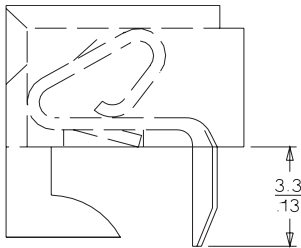


2.54mm (.100") Pitch KK[®] PC Board Connector

4455
With Cat Ear Terminals

Preferred Version in Europe and the Far East

Right Angle



These assemblies are the same as 4455A, B and C versions, except these have higher pressure cat ear contacts on the Bronze terminals.

Reference Information

Product Specification: PS-10-07
Packaging: Tray
UL File No.: E29179
CSA File No.: LR19980
Mates With: 4030, 4094, 70021 and 70475
Designed In: Inches

Electrical

Voltage: 250V
Current: 2.5A
Contact Resistance: 20 milliohms max.
Dielectric Withstanding Voltage: 1500V
Insulation Resistance: 500K Megohms min.

Mechanical

Contact Retention to Housing: 27.21g min.
Mating Force: 199g max.
Unmating Force: 57g min.
Normal Force: 300g
Durability: 25 cycles

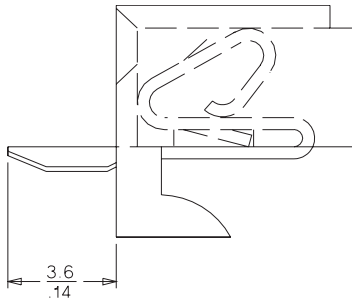
Physical

Housing: Nylon, UL 94V-0
Contact: Phosphor Bronze
Plating: Hot Tin/Lead dip—1mm min.
Operating Temperature: 0 to +75°C

Circuits	Order No.	Lead-free
2	38-00-1332	Yes
3	38-00-1333	
4	38-00-1334	
5	38-00-1335	
6	38-00-1336	
7	38-00-1337	
8	38-00-1338	
9	38-00-1339	
10	38-00-1340	
11	38-00-1341	
12	38-00-1342	
13	38-00-1343	

Circuits	Order No.	Lead-free
14	38-00-1344	Yes
15	38-00-1345	
16	38-00-1346	
17	38-00-1347	
18	38-00-1348	
19	38-00-1349	
20	38-00-1350	
21	38-00-1351	
22	38-00-1352	
23	38-00-1353	
24	38-00-1354	
25	38-00-1355	

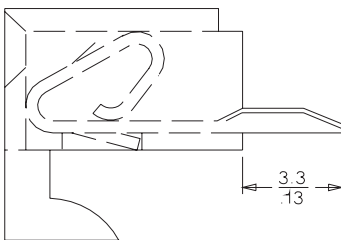
Bottom Entry



Circuits	Order No.	Lead-free
2	38-00-1392	Yes
3	38-00-1393	
4	38-00-1394	
5	38-00-1395	
6	38-00-1396	
7	38-00-1397	
8	38-00-1398	
9	38-00-1399	
10	38-00-1400	
11	38-00-1401	
12	38-00-1402	
13	38-00-1403	

Circuits	Order No.	Lead-free
14	38-00-1404	Yes
15	38-00-1405	
16	38-00-1406	
17	38-00-1407	
18	38-00-1408	
19	38-00-1409	
20	38-00-1410	
21	38-00-1411	
22	38-00-1412	
23	38-00-1413	
24	38-00-1414	
25	38-00-1415	

Top Entry



Circuits	Order No.	Lead-free
2	38-00-1422	Yes
3	38-00-1423	
4	38-00-1424	
5	38-00-1425	
6	38-00-1426	
7	38-00-1427	
8	38-00-1428	
9	38-00-1429	
10	38-00-1430	
11	38-00-1431	
12	38-00-1432	
13	38-00-1433	

Circuits	Order No.	Lead-free
14	38-00-1434	Yes
15	38-00-1435	
16	38-00-1436	
17	38-00-1437	
18	38-00-1438	
19	38-00-1439	
20	38-00-1440	
21	38-00-1441	
22	38-00-1442	
23	38-00-1443	
24	38-00-1444	
25	38-00-1445	